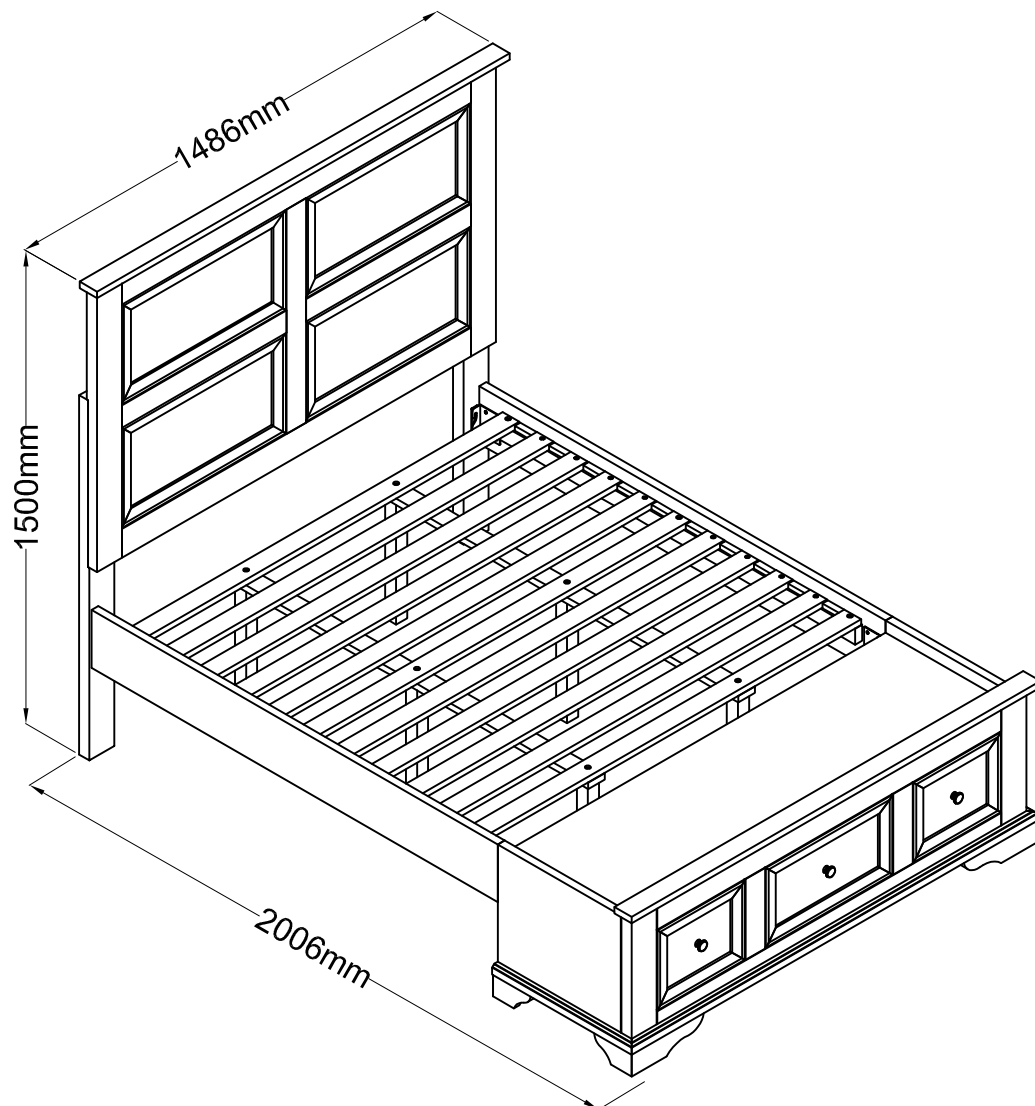




ASSEMBLY INSTRUCTION CHANELLE DOUBLE BED ITEM CODE 79770

Imported by Amart Furniture Pty Ltd, Qld, Brisbane Australia.
For any assistance with assembly or for missing parts please phone
Amart Furniture, Customer Service Free call 1800 351 084

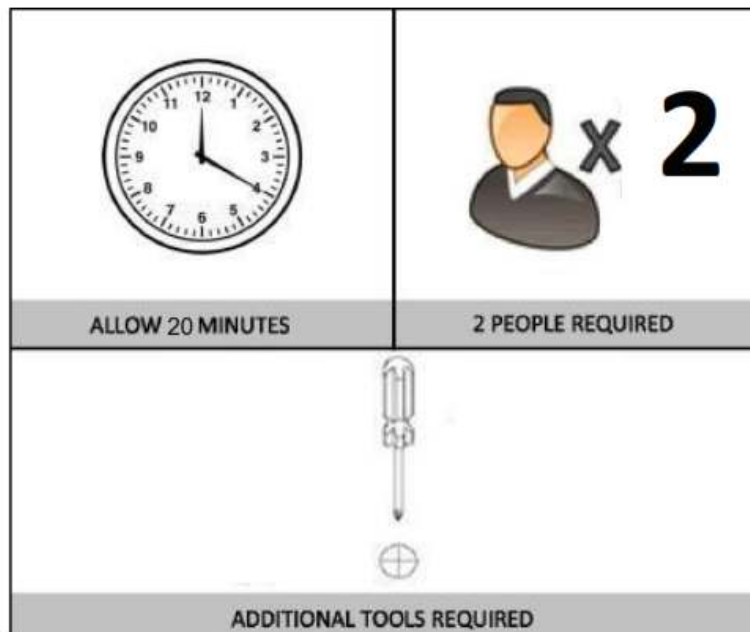


Imported by Amart Furniture Pty Ltd, Qld, Brisbane Australia.
For any assistance with assembly or for missing parts please phone
Amart Furniture, Customer Service Free call 1800 351 084

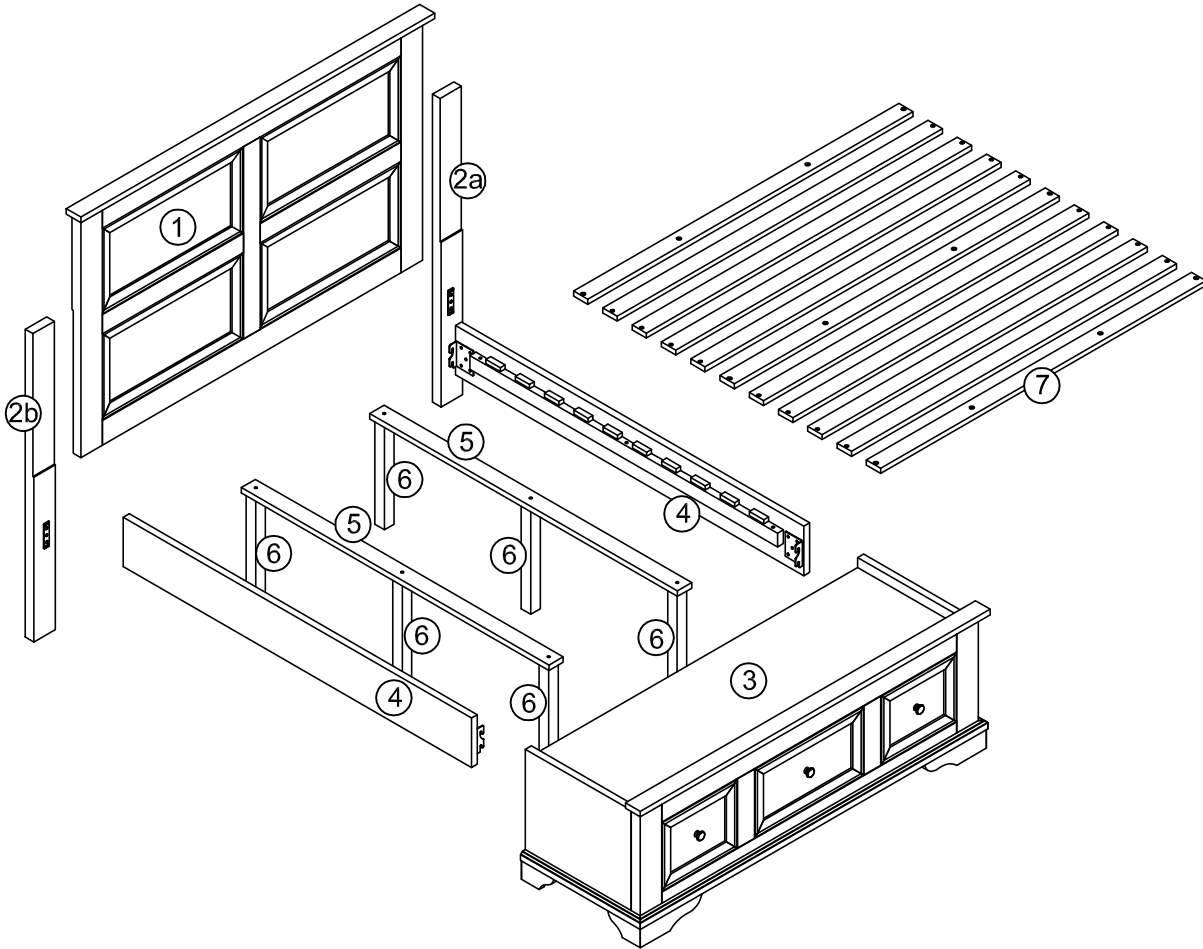
PRE-ASSEMBLY PREPARATION

Before you start:

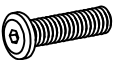
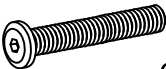


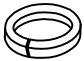



1. Choose a clean, level, spacious assembly area. Avoid hard surfaces that may damage the product
2. Take care when lifting. Product should be assembled as near as possible to the point of use
3. Ensure that you have all required contents for complete assembly
4. Always read the assembly instructions carefully before beginning assembly.
5. Keep all hardware parts and packaging out of reach of small children.
6. Do not over tighten the screws and bolts as this may damage the threads



PARTS LIST



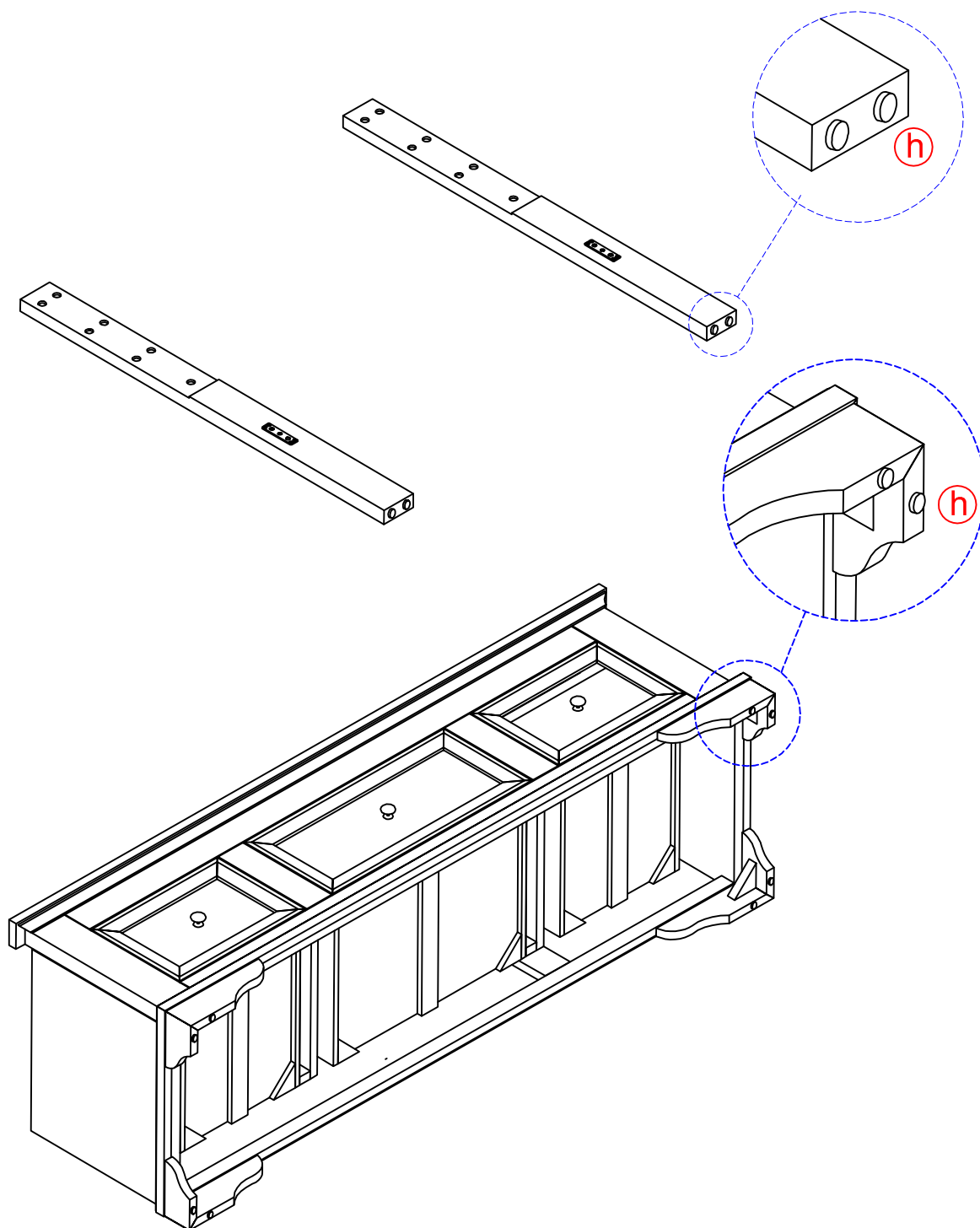
| NO. | PARTS LIST | QT'Y |
|-----|---------------------|--------|
| 1 | HEADBOARD | 1 pc |
| 2a | HEADBOARD LEG RIGHT | 1 pc |
| 2b | HEADBOARD LEG LEFT | 1 pc |
| 3 | FOOTBOARD | 1 pc |
| 4 | SIDE RAIL | 2 pcs |
| 5 | SUPPORT SLATS | 2 pcs |
| 6 | SUPPORT LEGS | 6 pcs |
| 7 | SLATS 1366mmx60mm | 11 pcs |

| | | | |
|--|--|---|--|
| a. Bolt M6x35mm  20pcs | b. Bolt M6x60mm  6pcs | c. Bolt M8x25mm  8pcs | d. Flat washer  14pcs |
| e. Spring washer  14pcs | f. Spring washer  1pc | g. Screw M4x30  20 pcs | h. Adhesive felt pad 20x20x5  12 pcs |

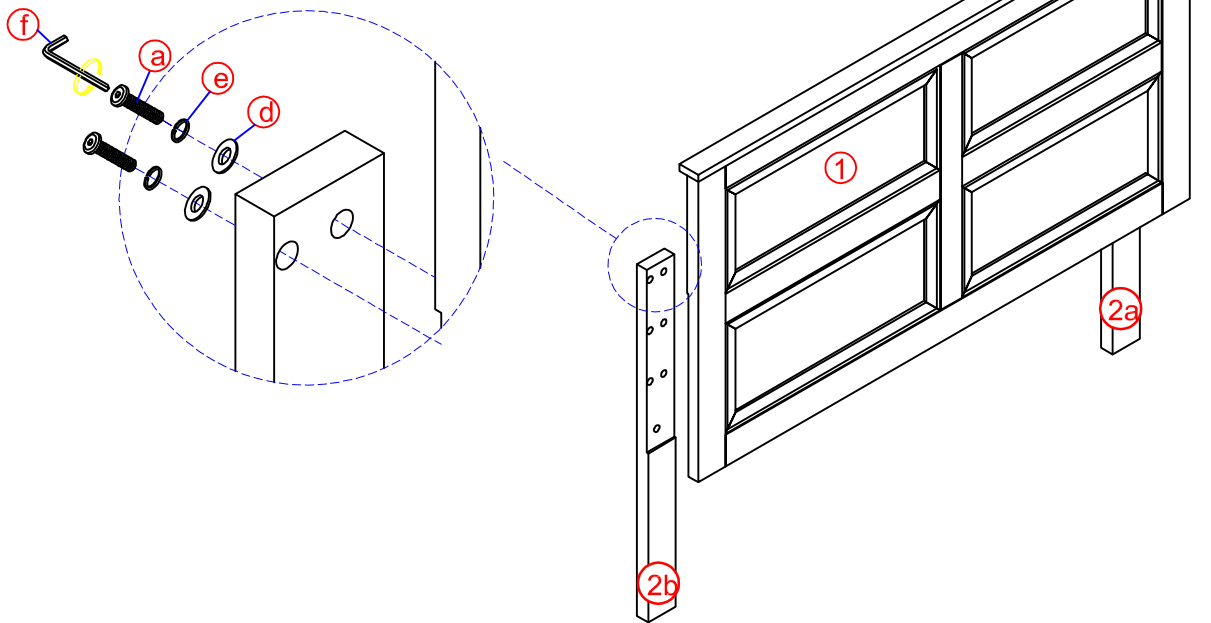
With two people carefully lay the Footboard on to a sheet or piece of cardboard.

Attach adhesive felt pad  onto the legs.

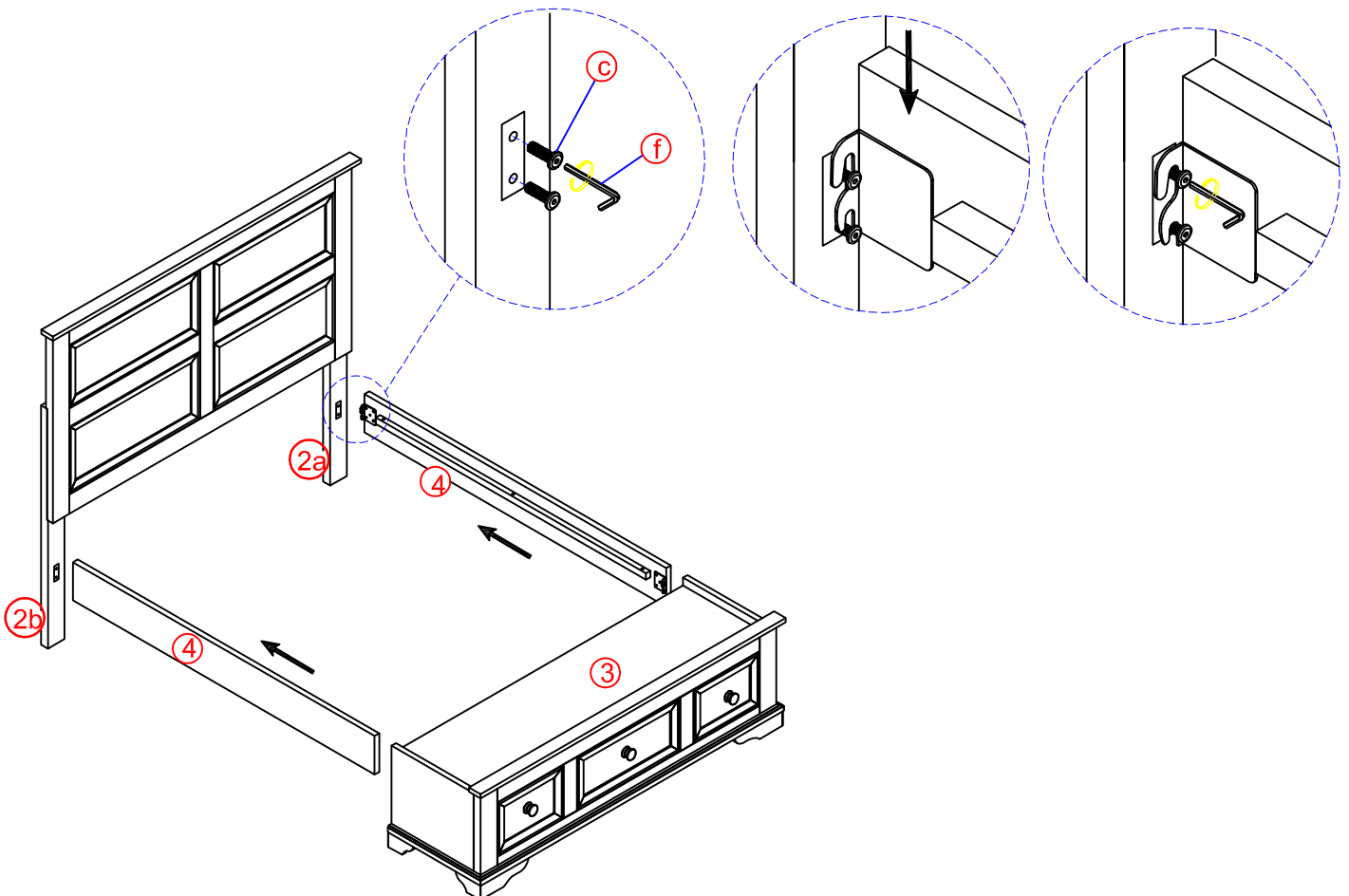
With two people carefully stand the Footboard upright.



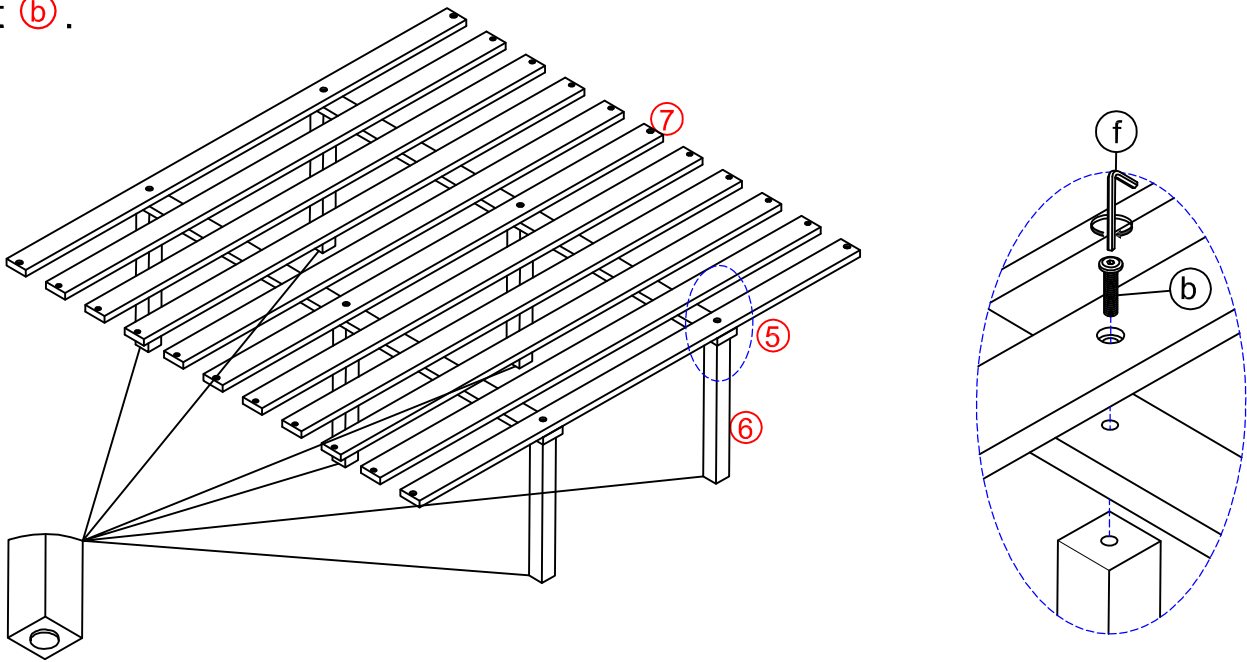
STEP 1: Tighten the headboard leg ②a, ②b to headboard panel ① with bolts ①a, spring washer ①e and flat washer ①d.



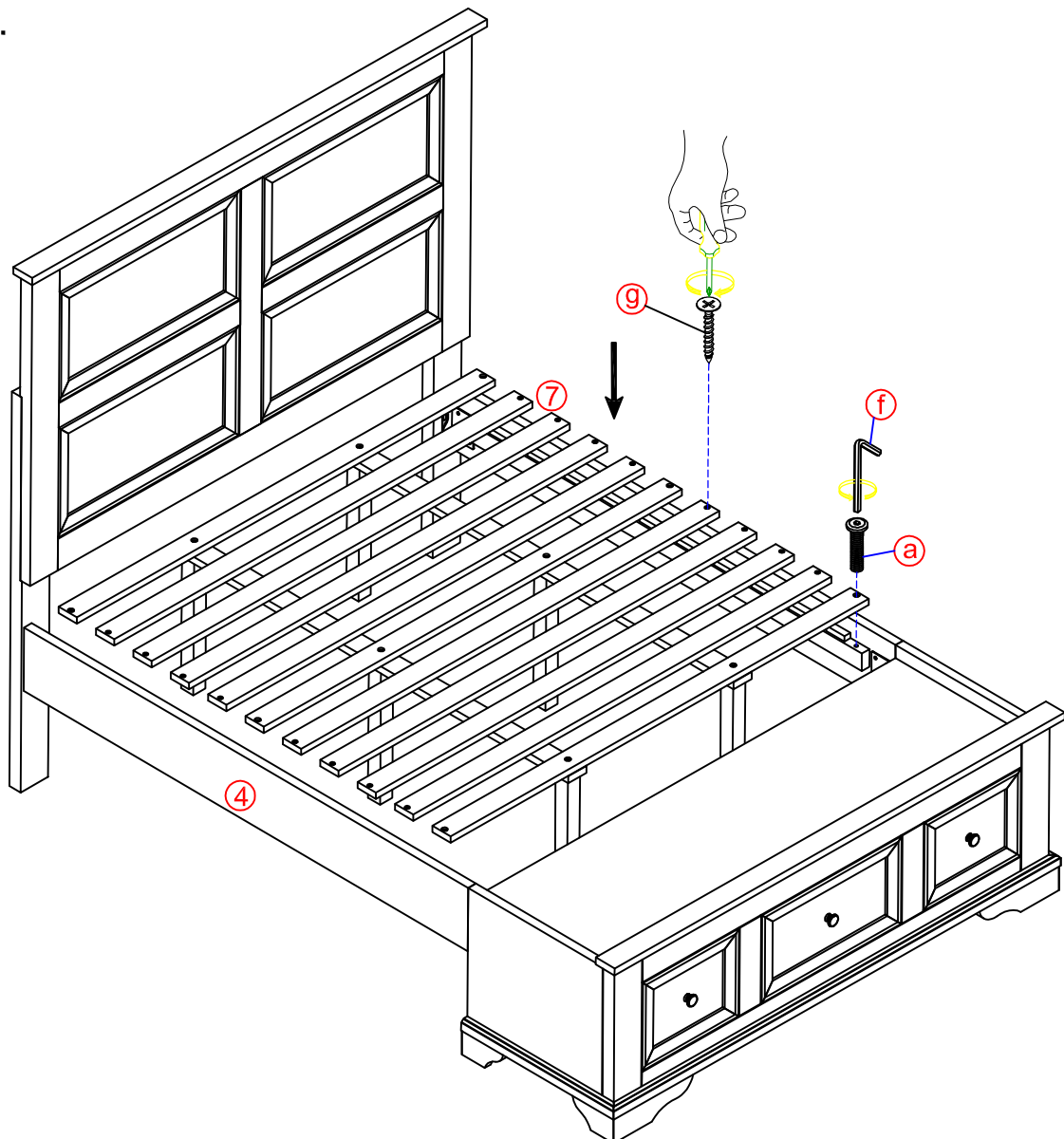
STEP 2: Attach side rails ④ to headboard legs ②a, ②b and footboard ③ by interlocking the brackets on the siderail with the screws on the headboard/footboard and then push down to lock in place.



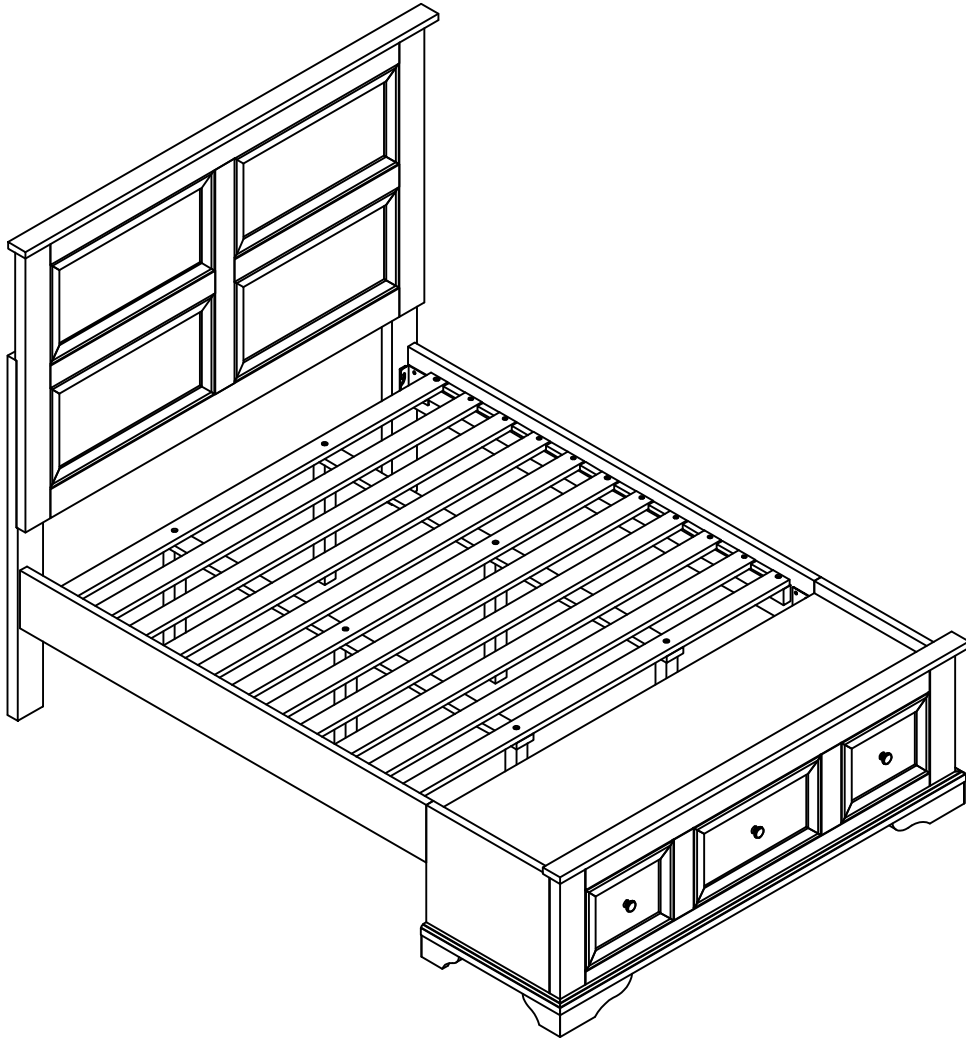
STEP 3: Tighten the slats ⑦ and support slats ⑤ to all support legs ⑥ with bolt ②.



STEP 4: Affix the Stiffener slat ⑦ to the side rail ④ with screws ⑨ and bolt ①.



ASSEMBLY IS COMPLETE



IMPORTANT NOTE:

- DO NOT push or pull the bed if there is a need for re-positioning as this may result in broken support legs for the centre rail.

IMPORTANT: CARE GUIDE FOR YOUR TIMBER FURNITURE

Congratulations! You have just purchased a quality product from Amart furniture.

Please read on for important information regarding your purchase...

A multi-step finish is applied to all our furniture, but all wood comes from nature. Because of this, there will be natural variations in surface texture and grain like knots, mineral streaks and sap runs that may affect the finish.

These differences in character are not defects, but distinctions that make each piece of furniture unique.

Our furniture is built to last. Following these steps, basic care should protect your investment for years to come.

- Dust frequently with a clean damp lint-free cloth. This will help remove abrasive build up which can damage a finish over time.
- Do not place hot objects on any furniture surface. Always use a suitable placemat. Laminate and lacquer finishes on table tops provide added scratch and heat resistance to our furniture, but they can still be damaged without proper care.
- Avoid exposing your furniture to strong sunlight, heat, open windows or dampness. Prolonged exposure to direct sunlight can fade the finish of your furniture, and sudden extreme temperature and humidity changes can cause cracking or splitting.
- Do not expose your furniture to any liquids. Never allow water to sit on your furniture. Alcohol, nail polish and perfume are also dangerous as they will dissolve the lacquer finish on contact and may require professional repairs.
- Do not allow plastic to come in direct contact with your furniture. Chemicals in the plastic of placemats etc may soften and mark the finish if left in contact with the furniture for a period of time.

